



Model no. : USP-2505A

Miniature Audio Transducer (External drive circuitry)

## ◆ FEATURES

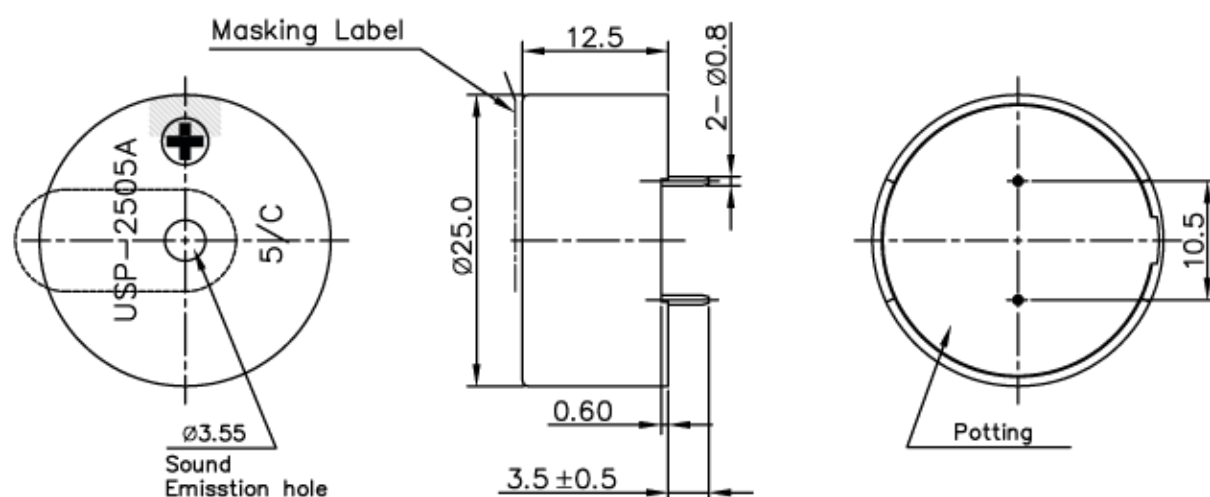
- ◆ Dip-solderable & washing
- ◆ Pleasant continuons output, logic interruted "Beeper" effet, or with external a "chime" tone output
- ◆ Wide frequency range

## ◆ SPECIFICATIONS

Rated Voltage	V <sub>p-p</sub>	5.0
Operating Voltage	V <sub>p-p</sub>	3.0~6.0
● Rated Current	mA	Max 80
Coil Resistance	Ω	33±5
● Sound output at 10cm	dB	Min 85
Resonant Frequency	Hz	800
Operating Temperature	°C	-40 to +85
Storage Temperature	°C	-40 to +85
Weight	g	8.2

- Value Applying Rated Voltage (800Hz, ½ duty, square wave)

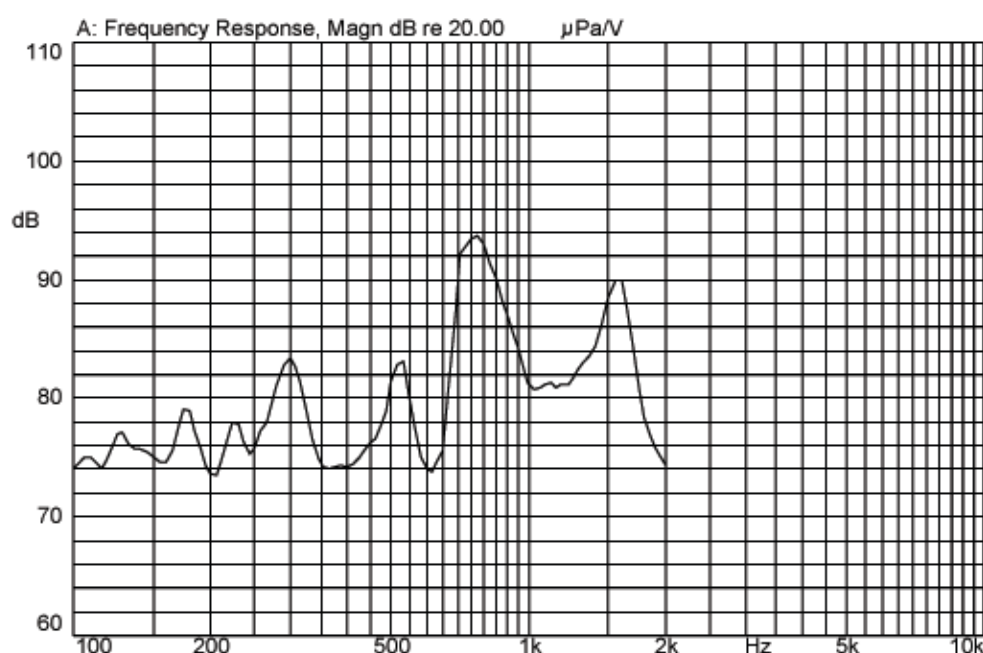
## ◆ DIMENSIONS



Unit : mm  
Housing Material : Noryl(SEI-GFN2J)

UNIQUE SOUND Co.,Ltd.

USP-2505A



26-APR-2005 11:06:21

Mode: SSR

