

UNIQUE SOUND Co., Ltd

MODEL No. : US-5016A

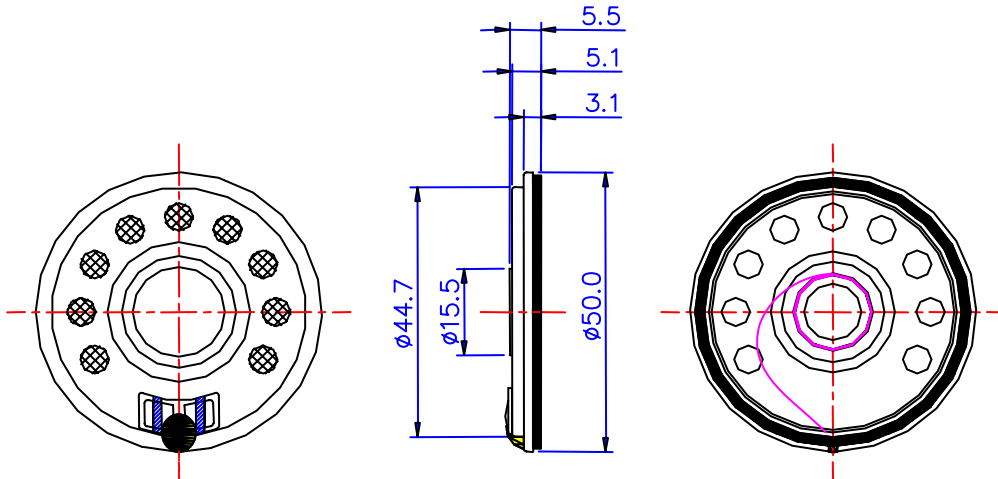
- Transducer Type : Micro Dynamic Speaker

1. Electro-Acoustical SPEC



Outer Dimension	Φ50.0 X T5.5
Net Weight	16 ± 2[g]
Impedance	16 Ω ± 15 % with 1[V] @ 1[kHz]
Sound Pressure Level	83dB ± 3dB (1W/1m) 800Hz, 1.0k, 1,2k, 1.5kHz Average The sound pressure level shall be converted 0.1[W]/0.1[m] into the value at 1[W]/1[m]
Rated / Max Input Power	1.0 W / 1.2W
Specific Range	500[Fo] Hz ~ 20 kHz
Buzz, Rattle	Should not be audible at 4.0V sine wave from 500 Hz to 20 kHz

2. Mechanical Dimension



3. Frequency Response Curve

*Measuring Condition [PCB Mount]
(5.0[V_{o-p}], duty 50 %, at 0.1[m] Square wave)

*Measuring Condition
(Sine wave at free baffle, 1.0W, at 1.0m)

A: Frequency Response, Magn dB re 20/100

A: Frequency Response, Magn dB re 20/100

