

UNIQUE SOUND Co., Ltd

MODEL No. : US-5004B

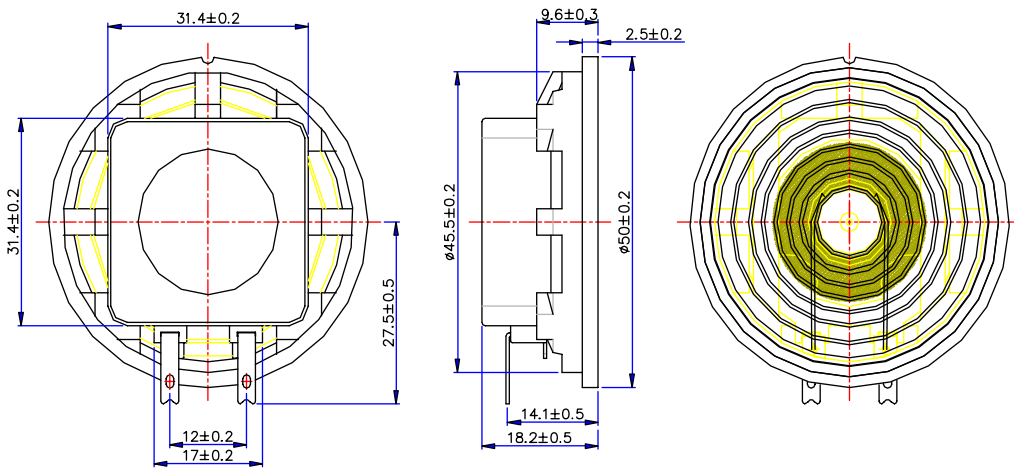
- . Transducer Type : Micro Dynamic Speaker

## 1. Electro-Acoustical SPEC



Outer Dimension	Φ50.0 X T18.2 [mm]
Net Weight	48 ±2.0g
Impedance	4 Ω ± 15 % with 1[V] @ 1[kHz]
Sound Pressure Level	82 ±5 [dB] at 500Hz Unsymmetrical rectangle pulse shape (50% duty cycle), 5.6 Vo-p(1W/1m on pcb in front of 1*1m baffle board mounting)
Rated / Max Input Power	1.5 W / 2.0W
Specific Range	500[Fo] Hz ~ 20 kHz
Buzz, Rattle	Should not be audible at 2.44V sine wave from 500 Hz to 20 kHz

## 2. Mechanical Dimension



## 3. Frequency Response Curve

\*Measuring Condition [PCB Mount]  
(5.6[Vo-p], duty 50 %, at 1.0[m] Square wave)

VBuf: A: Frequency Response, Magn dB re 20.00 μPa/V

