

UNIQUE SOUND Co., Ltd

MODEL No. : US-4008C

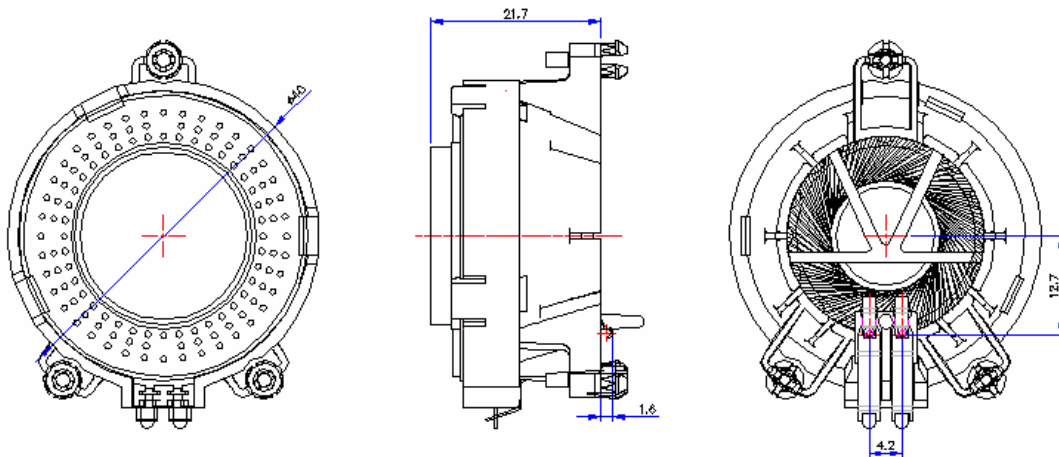
- . Transducer Type : Micro Dynamic Speaker

1. Electro-Acoustical SPEC



Outer Dimension	Φ40.0 X T21.7 [mm]
Net Weight	30 ±2.0g
Impedance	8 Ω ± 15 % with 1[V] @ 1[kHz]
Sound Pressure Level	87 ±5 [dB] at 500Hz Unsymmetrical rectangle pulse shape (50% duty cycle), 5.6 Vo-p(1W/1m on pcb in front of 1*1m baffle board mounting)
Rated / Max Input Power	0.7W/1.0W
Specific Range	500[Fo] Hz ~ 20 kHz
Buzz, Rattle	Should not be audible at 2.36V sine wave from 500 Hz to 20 kHz

2. Mechanical Dimension



3. Frequency Response Curve

*Measuring Condition [PCB Mount]
(5.6[Vo-p], duty 50 %, at 1.0[m] Square wave)

A: Frequency Response, Magn dB re 20.00 Pa/V

