

UNIQUE SOUND Co., Ltd

# MODEL No. : US-3750C

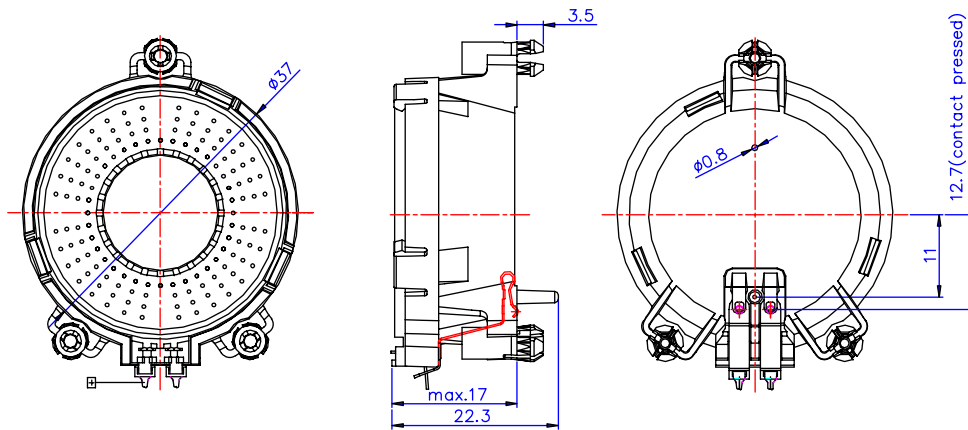
- Transducer Type : Micro Dynamic Speaker

## 1. Electro-Acoustical SPEC



Outer Dimension	Φ37.0 X T 22.3 [mm]
Net Weight	11.8 ±1.0g
Impedance	50 Ω ± 15 % with 1[V] @ 1[kHz]
Sound Pressure Level	87 ±5 [dB] at 500Hz Unsymmetrical rectangle pulse shape (50% duty cycle), (0.3W/1m on pcb in front of 1*m baffle board mounting)
Rated / Max Input Power	0.3W/0.5W
Specific Range	820[Fo] Hz ~ 20 kHz
Buzz, Rattle	Should not be audible at 3.16V sine wave from 500 Hz to 20 kHz

## 2. Mechanical Dimension



## 3. Frequency Response Curve

\*Measuring Condition [PCB Mount]  
(0.3W[V<sub>o-p</sub>], duty 50 %, at 1.0[m] Square wave)

VBuf: A: Frequency Response, Magn dB re 20.00 μPa/V

