

UNIQUE SOUND Co., Ltd

# MODEL No. : US-3750B

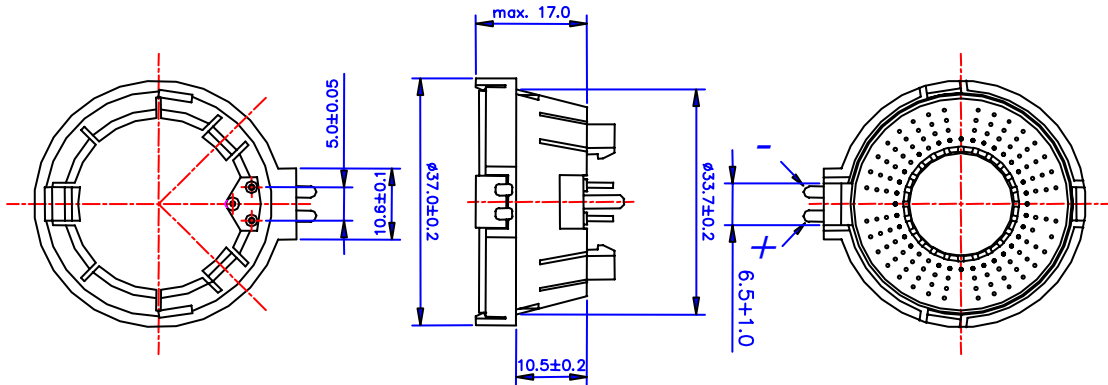
- Transducer Type : Micro Dynamic Speaker

## 1. Electro-Acoustical SPEC



Outer Dimension	Φ37.0 X T17.0 [mm]			
Net Weight	8.5 ± 1.0[g]			
Impedance	47 Ω ± 15 % with 1[V] @ 1[kHz]			
Sound Pressure Level (6.4[Vp-p], Rectangle pulse duty 50 %, 1[m])	Frequency in Hz	600	2000	3000
	Sound Pressure in [dB(A)]	77 ± 5	81.5 ± 5	85 ± 5
Rated / Max Input Power	0.3[W] / 0.5[W]			
Specific Range	200[Hz] ~ 10[kHz], Deviation Max 20[dB]			
Buzz, Rattle	Should not be audible at 3.2V sine wave from 450 Hz to 20 kHz			

## 2. Mechanical Dimension



## 3. Frequency Response Curve

\*Sound Pressure Level [PCB Mount]  
(6.4[Vp-p], duty 50 %, at 1[m] Square wave)

\*Measuring Condition  
(Sine wave at free baffle, 0.2W, at 0.1m)

