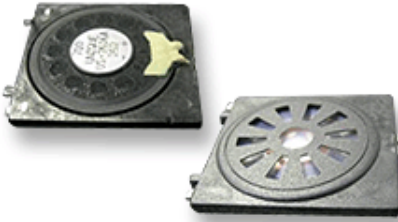


UNIQUE SOUND Co., Ltd

MODEL No. : US-3616A

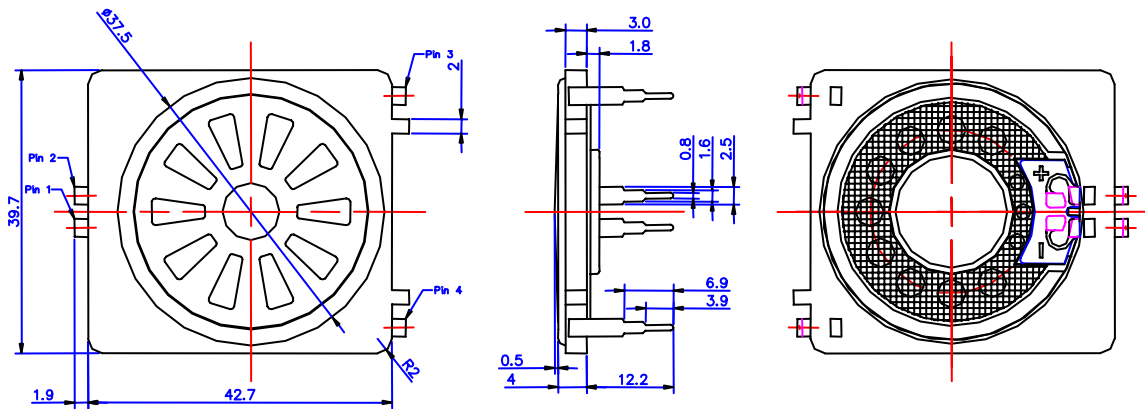
- . Transducer Type : Micro Dynamic Speaker

1. Electro-Acoustical SPEC



Outer Dimension	42.7 X 39.7 [mm]		
Net Weight	9.4 ± 1.0[g]		
Impedance	16 Ω ± 15 % with 1[V] @ 1[kHz]		
Sound Pressure Level (5.6[Vp-p], duty 50 %, Rectangle pulse 0.5[m] / PCB MOUNTING)	Frequency in Hz	600	3000
	Soressure in [dB(A)]	85 ± 5	91 ± 5
Rated / Max Input Power	0.5[W] / 1.0[W]		
Specific Range	500[Hz] ~ 10[kHz]		
Buzz, Rattle	Should not be audible at 2.83V sine wave from 500 Hz to 20 kHz		

2. Mechanical Dimension



3. Frequency Response Curve

*Measuring Condition [PCB Mount]
(5.6[Vo-p], duty 50 %, at 0.5[m] Square wave)

