

UNIQUE SOUND Co., Ltd

# MODEL No. : US-3516A

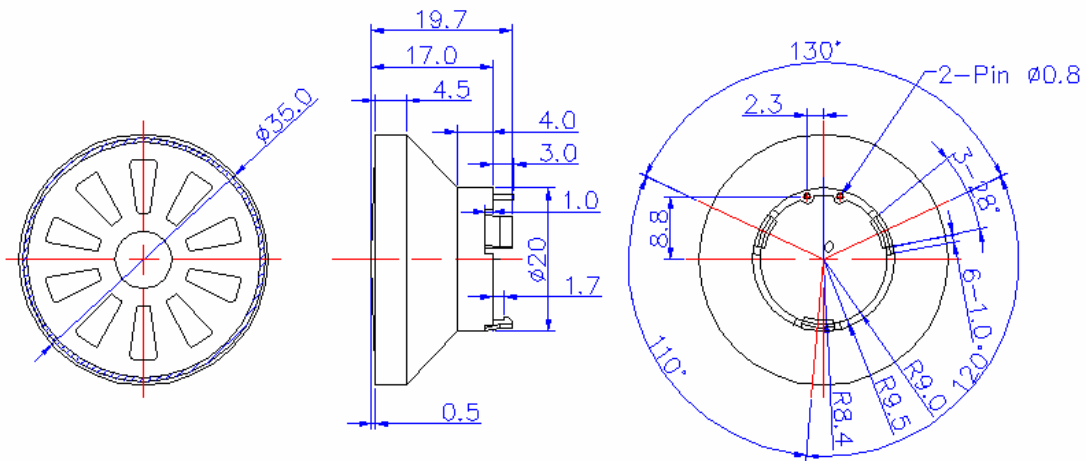
- Transducer Type : Micro Dynamic Speaker

## 1. Electro-Acoustical SPEC



Outer Dimension	Φ37.0 X T17.0 [mm]			
Net Weight	8.5 ± 1.0[g]			
Impedance	47 Ω ± 15 % with 1[V] @ 1[kHz]			
Sound Pressure Level (5.0[V <sub>p-p</sub> ], duty 50 %, Rectangle pulse 1[m] / PCB MOUNTING)	Frequency in Hz	600	2000	3000
	Soressure in [dB(A)]	80 ± 5	82 ± 5	92 ± 5
Rated / Max Input Power	0.5[W] / 1.0[W]			
Specific Range	200[Hz] ~ 10[kHz], Deviation Max 20[dB]			
Buzz, Rattle	Should not be audible at 3.2V sine wave from 450 Hz to 20 kHz			

## 2. Mechanical Dimension



## 3. Frequency Response Curve

\*Measuring Condition [PCB Mount]  
(5.0[V<sub>o-p</sub>], duty 50 %, at 0.1[m] Square wave)

