

UNIQUE SOUND Co., Ltd

MODEL No. : US-2808C

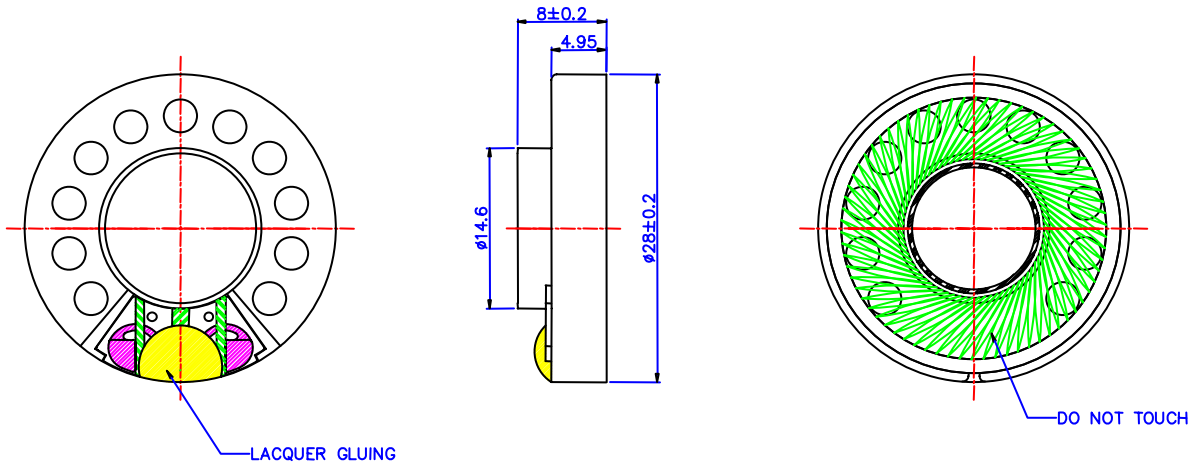
- . Transducer Type : Micro Dynamic Speaker

1. Electro-Acoustical SPEC



Outer Dimension	Φ28.0 * T 8.0 [mm]
Net Weight	5.9± 1.0[g]
Impedance	8 Ω ± 15 % with 1[V] @ 1[kHz]
Sound Pressure Level	80dB ± 3dB (1W/1m) 800Hz. 1.0k, 1.2k, 1.5kHz Average The sound pressure level shall be converted 0.1[W]/0.1[m] into the value at 1[W]/1[m]
Rated / Max Input Power	0.5W / 1.0W
Specific Range	700 Hz ~ 20 kHz
Buzz, Rattle	Should not be audible at 2.0V sine wave from 700 Hz to 20 kHz

2. Mechanical Dimension



3. Frequency Response Curve

*Measuring Condition [PCB Mount]
(1.0W[Vo-p], duty 50 %, at 1.0[m] Square wave)

*Measuring Condition
(Sine wave at free baffle, 1.0W, at 1.0m)

