



Model no. : UMT-1035SA

Miniature Audio Transducer (External drive circuitry)

◆FEATURES

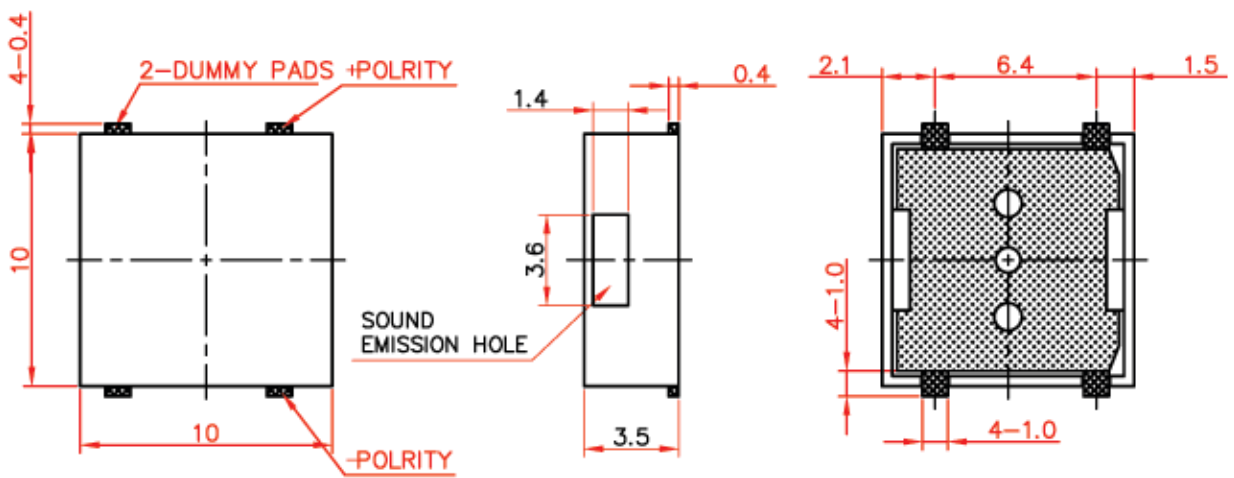
- ◆ Compact
Small and Slim Size of 10mmW×10mmL×3.5mmH
- ◆ Low Profile Design
- ◆ For Reflow Process
- ◆ Side Sound port
- ◆ Tape and Reel Packing

◆ SPECIFICATIONS

Rated Voltage	Vp-p	3.6
Operating Voltage	Vp-p	3.0~4.6
● Rated Current	mA	Max 100
Coil Resistance	Ω	18±5
● Sound output at 10cm	dB	Min 93(98TYP.)
Resonant Frequency	Hz	2830
Operating Temperature	°C	-20 to +70
Storage Temperature	°C	-40 to +85
Weight	g	Max 0.9

● Value Applying Rated Voltage (2830Hz, ½ duty, square wave)

◆ DIMENSIONS



UNIT	mm
TOLERANCE	±0.2
CASE MATERIAL	PA46(Black)

UNIQUE SOUND Co.,Ltd.

