



Model no. : USMT-9043TA

Miniature Audio Transducer (External drive circuitry)

### ◆FEATURES

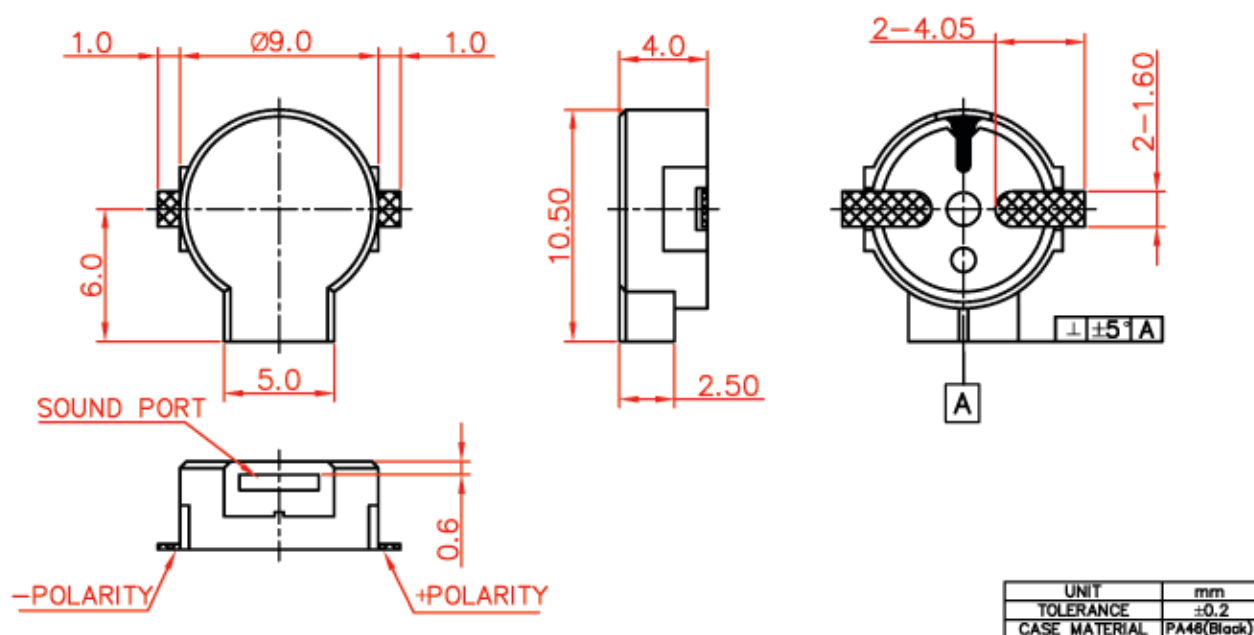
- ◆ Ultra Small (  $\varnothing 9 \times h4$  )
- ◆ For reflow Process
- ◆ Side Sound Port
- ◆ Tape and Reel Packing

### ◆SPECIFICATIONS

Rated Voltage	V p-p	3.6
Operating Voltage	V p-p	2.5~4.5
● Rated Current	mA	Max 100
Coil Resistance	$\Omega$	16 $\pm$ 3
● Sound output at 10cm	dB	Min 87
Resonant Frequency	Hz	2731
Operating Temperature	$^{\circ}$ C	-20 to +60
Storage Temperature	$^{\circ}$ C	-30 to +70
Weight	g	Max 0.7

● Value Applying Rated Voltage (2731Hz,  $\frac{1}{2}$  duty, square wave )

### ◆DIMENSIONS



UNIQUE SOUND Co.,Ltd.

