



Model no. : UMT-8533FSB

Miniature Audio Transducer (External drive circuitry)

◆FEATURES

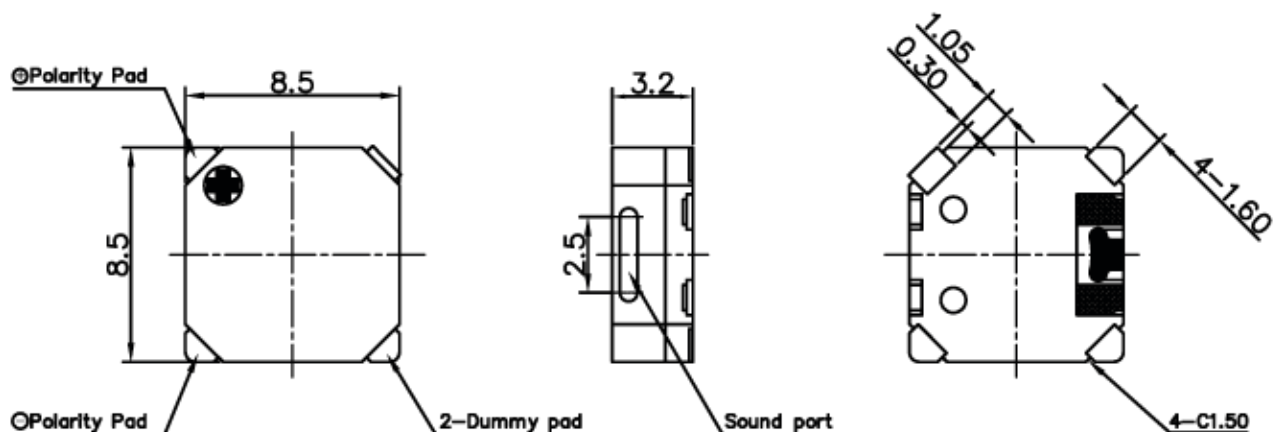
- ◆ Compact
Small and Slim Size of 8.5mmW×8.5mmL×3.2mmH
- ◆ Low Profile Design
- ◆ For Reflow Process
- ◆ Side Sound port
- ◆ Tape and Reel Packing

◆SPECIFICATIONS

| | | |
|------------------------|-------|------------|
| Rated Voltage | V p-p | 3.6 |
| Operating Voltage | V p-p | 2.5~4.5 |
| ● Rated Current | mA | Max 100 |
| Coil Resistance | Ω | 16±3 |
| ● Sound output at 10cm | dB | Min 85 |
| Resonant Frequency | Hz | 3100 |
| Operating Temperature | °C | -30 to +70 |
| Storage Temperature | °C | -40 to +85 |
| Weight | g | Max 0.5 |

● Value Applying Rated Voltage (3100Hz, ½ duty, square wave)

◆DIMENSIONS



| | |
|---------------|------------|
| UNIT | mm |
| TOLERANCE | ±0.2 |
| CASE MATERIAL | LCP(Black) |